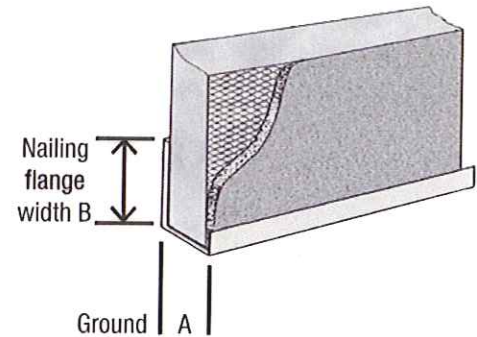
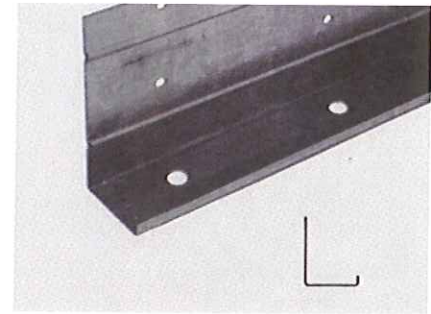


J Metal Bead will accommodate up to 1" of rigid insulation and 3/8" of one-coat stucco or direct applied systems. The 26-gauge J Metal can be punched for weep in ground flange as requested. J Metal is produced in Fontana, CA only, but is available for shipment.

Ground A	Length	Pieces/ bundle	Nailing flange width B	Weight/ bundle	Bundles/ pallet
3/8"	10'	10	3 1/2"	26 lbs.	50
1/2"	10'	10	3 1/2"	28 lbs.	50
3/4"	10'	10	3 1/2"	29 lbs.	50
7/8"	10'	10	3 1/2"	30 lbs.	50
1"	10'	10	3 1/2"	32 lbs.	50
1 3/8"	10'	10	1 7/8" 3 1/2"	21 lbs. 35 lbs.	100 50
1 1/2"	10'	10	1 7/8" 3 1/2"	24 lbs. 36 lbs.	100 50



Foundation Weep Screed (FHA #7) is required at the base of walls as part of a drainage system for exterior stucco or manufactured stone applications. The 3 1/2" nailing flange serves as flashing when Grade D building paper or Tilath® is installed over the flange. Holes are punched into the nailing flange for easy attachment to the wall. Holes are also placed in the "V" stop to provide keying of the stucco mud when wet. As the mud cures, it will shrink slightly away from the "V" stop, allowing moisture to flow down the building paper and exit the sloped "V" stop surface. Foundation Weep Screed #7 is manufactured in 26 gauge galvanized metal or zinc alloy.

Ground A	Pieces/ bundle	Nailing flange width	Finish	Weight/ bundle	Bundles/ pallet
1/2"	10	3 1/2"	Galvanized	32 lbs.	100
5/8"	10	3 1/2"	Galvanized	34 lbs.	100
3/4"	10	3 1/2"	Galvanized	35 lbs.	100
7/8"	10	3 1/2"	Galvanized Zinc	36 lbs. 32 lbs.	100
1 3/8"	10	3 1/2"	Galvanized	41 lbs.	100
1 1/2"	10	3 1/2"	Galvanized	43 lbs.	100

