

Your Source for Ground Fault Circuit Interrupter Devices Featuring SmartLock®



For Residential
Commercial
Industrial
and Institutional
Applications

Leviton ... Leading the Way in GFCI Protection at Home and on the Job

There's no compromising with safety standards when it comes to reducing the hazards of electrical shock. Leviton GFCI receptacles meet and exceed Underwriter Laboratories (UL) and National Electrical Code (NEC) requirements for residential, commercial and industrial applications. Our GFCI line is the culmination of over 25 years of design and development expertise. From advanced technology SmartLock® devices with lockout action to portable cord sets and power distribution centers, Leviton GFCIs offer the ultimate in personnel protection and safety for all your needs.

GFCI Safety Measures Begin at Home

Leviton's got you covered for GFCI protection on the home front. GFCIs should be used anywhere a receptacle and a water source are present. Be sure to install GFCIs in these locations inside and outside your home:

1. Kitchen
2. Bathroom
3. Garage/Carport
4. Utility Room/Laundry Room
5. Workshop
6. Outdoor Locations
7. Pool/Whirlpool Spa
8. Decks and Porches

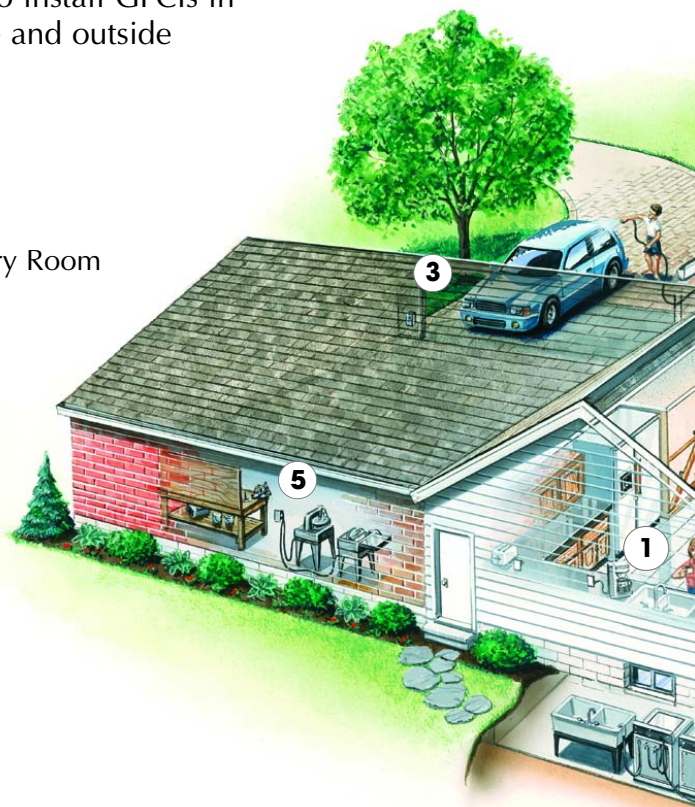
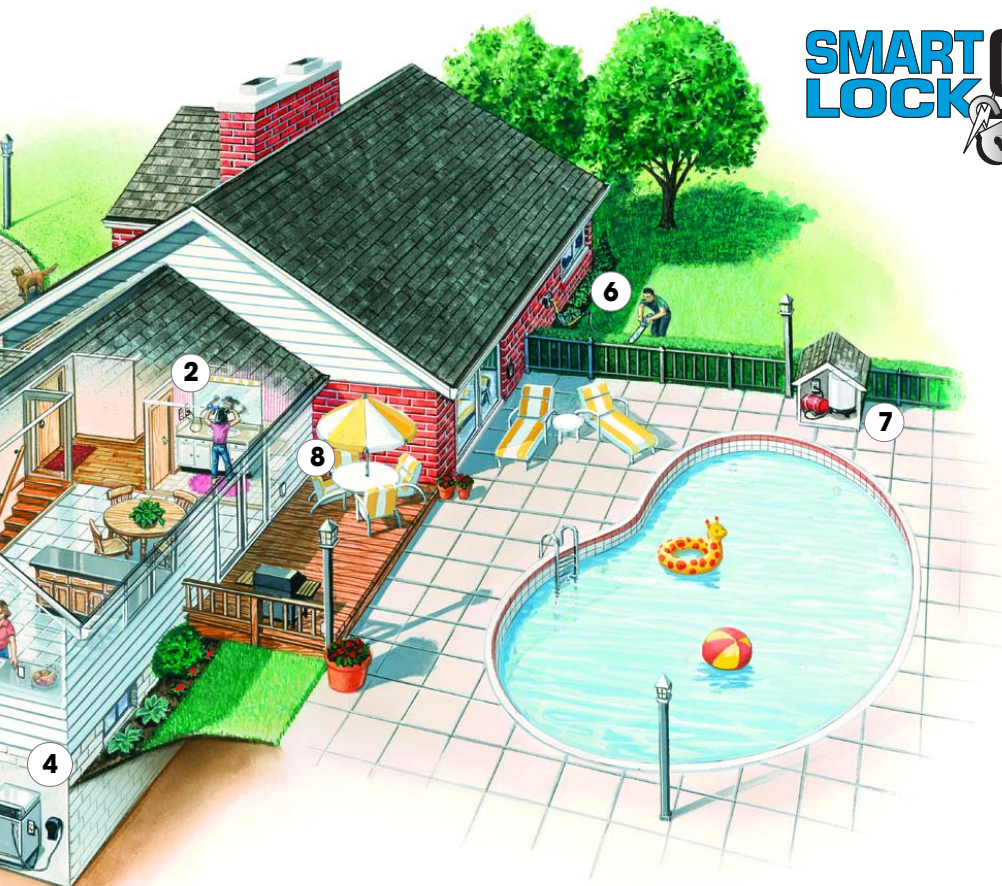


Table of Contents

How GFCIs Protect You	
The Need for Ground Fault Protection	4
New UL Requirements	5
SmartLock® Advanced GFCI Receptacles	6-10
GFCI Personnel Protection Devices	
Cord Sets	11-12
Right Angle GFCI Plugs	13
GFCIs for Equipment Connections and Work Sites	14-15
GFCI Wallplates and Accessories	16-18
Technical Information	
National Electrical Code (NEC) Requirements	19-21
Dimensional Drawings	22-23
Frequently Asked Questions	24-25
SmartLock® GFCI Packaging and Merchandising	26-27



**SMART
LOCK** GFCI®



How GFCIs Protect You

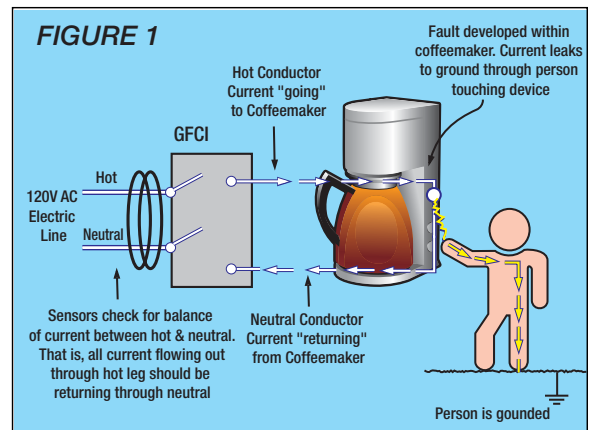
"...GFCIs Save Lives"*

The Need for Ground Fault Protection

Electrical wiring systems are the foundation of the modern technological world, but they are not foolproof. Whenever electrical current is flowing through circuit conductors, there will always be the risk of fire or serious electrical shock if certain conditions occur. Most people assume that a circuit breaker is the safety net in an electrical system, but this is only partially true.

The circuit conductors in any wiring system are rated for a maximum electrical current. In the event of a severe short, excessive current flows in the conductors, and this can quickly lead to serious overheating and fire. This is where circuit breakers go to work. They "trip" open when excessive current occurs, thereby protecting the building structure. However, the current level needed to trip a circuit breaker is many times greater than the amount that can deliver a powerful, and possibly lethal, electrical shock to a person.

Another type of short, called a **Ground Fault**, can easily occur when the "hot" conductor in an electrical device touches a device's metal enclosure due to exposure through a break in its insulation. Using a coffeemaker as an example, consider what could happen if a wire becomes frayed or the device becomes damaged over time. The "hot" conductor in the coffeemaker (see *Figure 1*) may come in contact with the metal body. A person touching the coffeemaker could then become a path to ground for current leaking from the metal body. This ground fault condition can be life threatening even though the current flow may be far less than the amount required to trip a circuit breaker.



How a GFCI Works

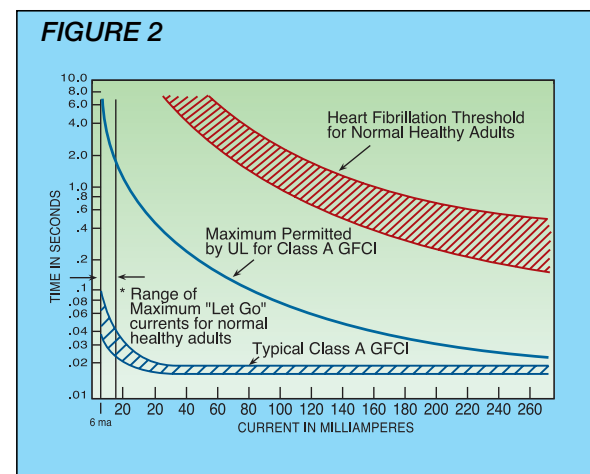
When current is leaking to ground, not all current flowing through the "hot" conductor is returning through the "neutral" conductor. *Figure 1* shows how a **Ground Fault Circuit Interrupter (GFCI)** monitors this difference in current flow between the hot and neutral conductors. As long as the difference in current is zero, the GFCI allows current to flow.

However, if the GFCI senses even a slight difference in the current flow between the two conductors (a ground fault), it reacts by opening its internal double-pole contacts to interrupt the flow of electrical current through the device. The GFCI must be sensitive to the minimum amount of current that can harm a human being, and it must trip instantaneously.

Figure 2 summarizes GFCI tripping characteristics in general. According to UL Standard 943, a Class A GFCI must trip when there is a ground fault current of 5mA (± 1 mA).

Figure 2 also shows trip time requirements.

GFCI receptacles are used in place of standard duplex receptacles and can also be wired in a feed-through manner to provide ground fault protection for receptacles wired downstream.



New UL Requirements Make GFCIs Safer and More Effective

Underwriters Laboratories (UL), a leading product safety and certification organization, issued changes to GFCIs to provide an even higher level of consumer protection. The changes went into effect on January 1, 2003. The new standards include provisions for:

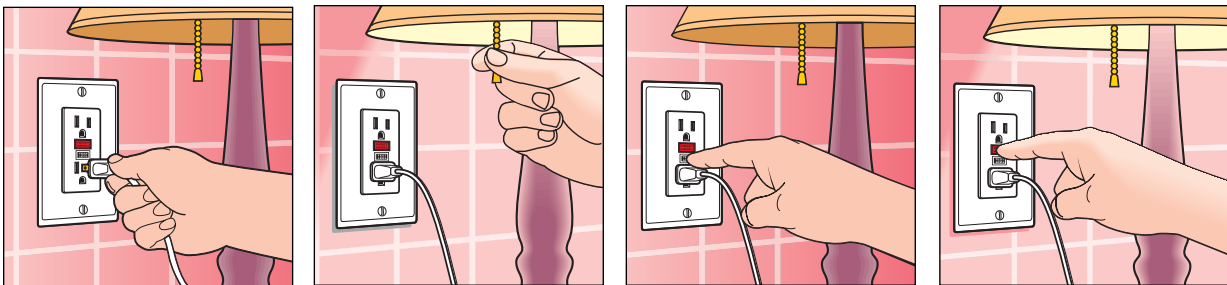
- **Diagnostic Indication for Miswiring**
Diagnoses potentially hazardous installation wiring error that allows a GFCI to be live even after it's tripped. Blocks power to downstream receptacles in case of line/load reversal. SmartLock® incorporates a diagnostic feature that prevents the GFCI from resetting if the line and load connections are mistakenly reversed. (GFCI receptacle face is still live and unprotected when line and load leads are reversed.)
- **Expanded Surge Protection (for GFCI components)**
Electrical surges and/or overvoltages can cause electronic devices to fail. GFCIs must now be able to withstand higher surge levels and still operate properly.
- **Increased Corrosion Resistance**
GFCIs must meet new stringent criteria for corrosion resistance, helping to eliminate another potential cause of GFCI failures.
- **Increased Noise Immunity**
Higher resistance to electrical noise (EMI/RFI) to help reduce nuisance tripping.
- **Abnormal Over-Voltage Testing**
Increased ability to withstand twice the normal voltage without creating a fire or shock hazard.

Leviton's SmartLock GFCIs not only meet all of the 2003 UL requirements, but also include Leviton's patented lockout feature, which provides even greater protection. SmartLock's RESET button will NOT engage if GFCI protection has been compromised.

GFCI Testing Is a Top Priority

Because GFCIs can become damaged over time, the Consumer Products Safety Commission, UL, Electrical Safety Foundation International and Leviton strongly recommend monthly testing of all GFCIs:

To Test SmartLock (Lockout-Type) GFCIs



1. Plug a lamp or radio into the SmartLock GFCI receptacle.

2. Turn ON lamp or radio.

3. Push the TEST button on the SmartLock GFCI. The GFCI will trip and power to the lamp or radio will be cut off.

4. Push the RESET button on the SmartLock GFCI to restore power to the lamp or radio.

To Test a Non-SmartLock GFCI

Follow steps 1-4. If the GFCI does not trip when you push the TEST button and power to the lamp or radio is not cut off, contact a licensed electrical contractor.

IMPORTANT: The SmartLock RESET button will not restore power if the GFCI is damaged and cannot respond to a ground fault. The RESET button on a non-SmartLock GFCI will always restore power, even if the GFCI is damaged and cannot respond to a ground fault.

SmartLock® Advanced GFCI Receptacles

SmartLock®, the First Advanced Technology GFCI to Take People Protection to a Higher Level Exclusively from Leviton



Thick-walled, impact-resistant thermoplastic nylon cover and body withstand abuse

Silver alloy contacts for reliable switching

Triple combination termination screws

Advanced electronic design offers superior resistance to surges and overvoltages

Heavy-duty contacts are double wipe for 15 Amp and triple wipe for 20 Amp

Patented lockout feature prevents "RESET" if GFCI is not functioning properly or miswired due to reversal of line and load leads

LED power indicator light on lighted models helps diagnose improper wiring and, when illuminated, offers visual confirmation that power is available

2 YEAR LIMITED WARRANTY

Eight back-wired holes (two for each terminal) provide maximum wiring capability



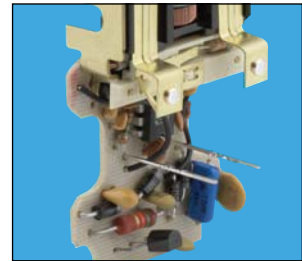
Look for the Lock when choosing a GFCI. The lock ensures improved GFCI performance



Lockout action blocks the "RESET" button if GFCI protection has been compromised



Optional LED indicator offers visual confirmation of power availability



Advanced electronics design provides superior resistance to electrical surges and over-voltages

Leviton Offers a Choice of TEST and RESET Button Color

Every GFCI receptacle is required by UL to have "TEST" and "RESET" buttons, providing a simple, clear means of testing whether the device is operating properly. Leviton GFCIs are available in two versions to meet your needs. One version has matching body color (monochromatic) buttons, offering a stylish, unobtrusive appearance. The other version has a traditional **black** TEST button and a **red** RESET button, which is ideal in applications where fast, easy identification of the GFCI is desired.

Agency Standards

Meets or exceeds all new UL requirements for January 1, 2003

- UL Standard 943 Class A (GFCI) and 498 (Receptacles)
- UL Listed (File #E-48380) • CSA Certified (File #LR-57811)
- NOM Certified (File #057)

Spec Grade

15A SmartLock® Duplex GFCI with LED Indicator Light

Rated 15A-125V at NEMA 5-15R Receptacle,
20A-125V Feed-Through – Back and Side Wired

**Black and Red Buttons with Wallplate
Packed in a Clamshell**



Cat. No.	Color	UPC	Inner Pack	Standard Pack
L01-8598-00I	Ivory	07847714801 3	3	30
L02-8598-00W	White	07847714802 0	3	30
L03-8598-00A	Almond	07847714803 7	3	30

Packed in Rack Packs (Must be ordered in multiples of Standard Pack)

T11-8598-00I	Ivory	07847714801 3	----	18
T12-8598-00W	White	07847714802 0	----	18
T13-8598-00A	Almond	07847714803 7	----	18

**Black and Red Buttons
Contractor Pack**



Cat. No.	Color	UPC	Inner Pack	Standard Pack
022-8598-CPW	White	07847715322 2	5	50
023-8598-CPA	Almond	07847716325 2	5	50

**Monochromatic Buttons
Packed in a Box**



Cat. No.	Color	UPC	Inner Pack	Standard Pack
010-8598-000	Brown	07847713599 0	----	10
011-8598-00I	Ivory	07847713600 3	----	10
012-8598-00W	White	07847713601 0	----	10
015-8598-00A	Almond	07847713602 7	---	10

20A SmartLock® Duplex GFCI with LED Indicator Light

Rated 20A-125V at NEMA 5-20R Receptacle
20A-125V Feed-Through – Back and Side Wired

**Monochromatic Buttons
Packed in a Box**



Cat. No.	Color	UPC	Inner Pack	Standard Pack
000-8898-000	Brown	07847713618 8	----	10
001-8898-00I	Ivory	07847713619 5	----	10
002-8898-00W	White	07847713620 1	----	10
005-8898-00A	Almond	07847713622 5	----	10

Note: Wallplates sold separately, unless otherwise listed.

SmartLock® Advanced GFCI Receptacles

Spec Grade

15A SmartLock® Duplex GFCI

Rated 15A-125V at NEMA 5-15R Receptacle,
20A-125V Feed-Through – Back and Side Wired

Black and Red Buttons – Packed in a Box



Cat. No.	Color	UPC	Inner Pack	Standard Pack
B01-8599-00I	Ivory	07847714410 7	----	10
B02-8599-00W	White	07847714318 6	----	10
B03-8599-00A	Almond	07847714149 6	----	10

Packed in Rack Packs (Must be ordered in multiples of Standard Pack)

R00-8599-000	Brown	07847714654 5	----	6
R01-8599-00I	Ivory	07847714410 7	----	50
R02-8599-00W	White	07847714318 6	----	50
R03-8599-00A	Almond	07847714149 6	----	30
R04-8599-00E	Black (Ebony)	07847714655 2	----	12
R05-8599-0GY	Gray	07847714656 9	----	6

Packed in a Box

061-8599-0LI	Ivory, With Leads	07847715218 8	----	10
062-8599-0LW	White, With Leads	07847715219 5	----	10

3-Pack Multipacks

R01-18599-00I	Ivory	07847714666 8	----	20
R02-18599-00W	White	07847714667 5	----	20
R03-18599-00A	Almond	07847714701 6	----	20

Monochromatic Buttons with Wallplate – Packed in a Clamshell



L01-8599-0AI	Ivory	07847713614 0	3	30
L02-8599-0AW	White	07847713616 4	3	30
L03-8599-0AA	Almond	07847713617 1	3	30
L04-8599-0AE	Black (Ebony)	07847716813 4	3	30

Packed in Rack Packs (Must be ordered in multiples of Standard Pack)

T11-8599-0AI	Ivory	07847713614 0	----	21
T12-8599-0AW	White	07847713616 4	----	21
T13-8599-0AA	Almond	07847713617 1	----	21

Monochromatic Buttons with Wallplate/Self-grounding Clip – Contractor Pack (5 GFCIs per Box)



Cat. No.	Color	UPC	Inner Pack	Standard Pack
025-8599-CPI	Ivory	07847717299 5	5	50
026-8599-CPW	White	07847717301 5	5	50
027-8599-CPA	Almond	07847717302 2	5	50

Monochromatic Buttons – Packed in a Box



Cat. No.	Color	UPC	Inner Pack	Standard Pack
000-8599-000	Brown	07847713641 6	----	10
001-8599-00I	Ivory	07847713603 4	----	20
002-8599-00W	White	07847713608 9	----	20
003-8599-0GY	Gray	07847713609 6	----	10
004-8599-00E	Black (Ebony)	07847713610 2	----	10
005-8599-00A	Almond	07847713611 9	----	10

Bulk Packaging

041-8599-0X1	Ivory	07847715216 4	----	20
042-8599-0XW	White	07847715217 1	----	20

Note: Wallplates sold separately, unless otherwise listed.

Spec Grade

20A SmartLock® Duplex GFCI

Rated 20A-125V at NEMA 5-20R Receptacle,
20A-125V Feed-Through – Back and Side Wired



Black and Red Buttons – Packed in a Box



Cat. No.	Color	UPC	Inner Pack	Standard Pack
B01-8899-00I	Ivory	07847714763 4	----	5
B02-8899-00W	White	07847714764 1	----	5
B03-8899-00A	Almond	07847714765 8	----	5

Packed in Rack Packs (Must be ordered in multiples of Standard Pack)

R01-8899-00I	Ivory	07847714763 4	----	30
R02-8899-00W	White	07847714764 1	----	50
R03-8899-00A	Almond	07847714765 8	----	16
R05-8899-0GY	Gray	07847714766 5	----	10

Monochromatic Buttons – Packed in a Box



Cat. No.	Color	UPC	Inner Pack	Standard Pack
000-8899-000	Brown	07847706195 4	----	10
001-8899-00I	Ivory	07847706196 1	----	10
002-8899-00W	White	07847706197 8	----	10
003-8899-0GY	Gray	07847706198 5	----	10
004-8899-00E	Black (Ebony)	07847712338 6	----	10
005-8899-00A	Almond	07847706200 5	----	10

Monochromatic Buttons with Wallplate/Self-grounding Clip – Contractor Pack (5 GFCIs per Box)

Cat. No.	Color	UPC	Inner Pack	Standard Pack
025-8899-CPI	Ivory	07847717475 3	5	50
026-8899-CPW	White	07847717477 7	5	50
027-8899-CPA	Almond	07847717478 4	5	50

20A SmartLock® Switch-Rated GFCI, 1.5 HP at 120V

Blank Face, Monochromatic Buttons – Packed in a Box



Cat. No.	Color	UPC	Inner Pack	Standard Pack
011-8590-00I	Ivory	07847713637 9	----	10
012-8590-00W	White	07847713638 6	----	10
015-8590-00A	Almond	07847713639 3	----	10

Packed in Rack Packs (Must be ordered in multiples of Standard Pack)

R01-8590-00I	Ivory	07847713637 9	----	6
R02-8590-00W	White	07847713638 6	----	6

Bulk Packaging

024-8590-OXE	Black (Ebony)	07847715215 7	----	50
--------------	---------------	---------------	------	----

Hospital Grade

15A SmartLock® Duplex GFCI with LED Indicator Light

Rated 15A-125V at NEMA 5-15R Receptacle,
20A-125V Feed-Through – Back and Side Wired

Monochromatic Buttons – Packed in a Box



Cat. No.	Color	UPC	Inner Pack	Standard Pack
000-8598-HG0	Brown	07847715244 7	----	10
001-8598-HGI	Ivory	07847713595 2	----	10
002-8598-HGW	White	07847713596 9	----	10
003-8598-HGR	Red	07847713597 6	----	10
004-8598-HGG	Gray	07847713598 3	----	10
005-8598-HGA	Almond	07847712236 5	----	10
150-8598-DIN	Black, DIN rail mount with terminal wiring block	07847715328 4	----	10

20A SmartLock® Duplex GFCI with LED Indicator Light

Rated 20A-125V at NEMA 5-20R Receptacle,
20A-125V Feed-Through – Back and Side Wired

Monochromatic Buttons – Packed in a Box



Cat. No.	Color	UPC	Inner Pack	Standard Pack
010-8898-HG0	Brown	07847713623 2	----	10
011-8898-HGI	Ivory	07847712328 7	----	10
012-8898-HGW	White	07847712329 4	----	10
013-8898-HGR	Red	07847713626 3	----	10
014-8898-HGG	Gray	07847713627 0	----	10
015-8898-HGA	Almond	07847712330 0	----	10

Note: Wallplates sold separately, unless otherwise listed.

Spec Grade

SmartLock® Combination Switch/GFCI Receptacle

Rated 15A-125V at NEMA 5-15R Receptacle,
20A-125V Feed-Through – Back and Side Wired
Switch-Rated at 1000W, 8.3A, 1/4 HP, 120V AC

Monochromatic Buttons with Wallplate – Packed in a Clamshell



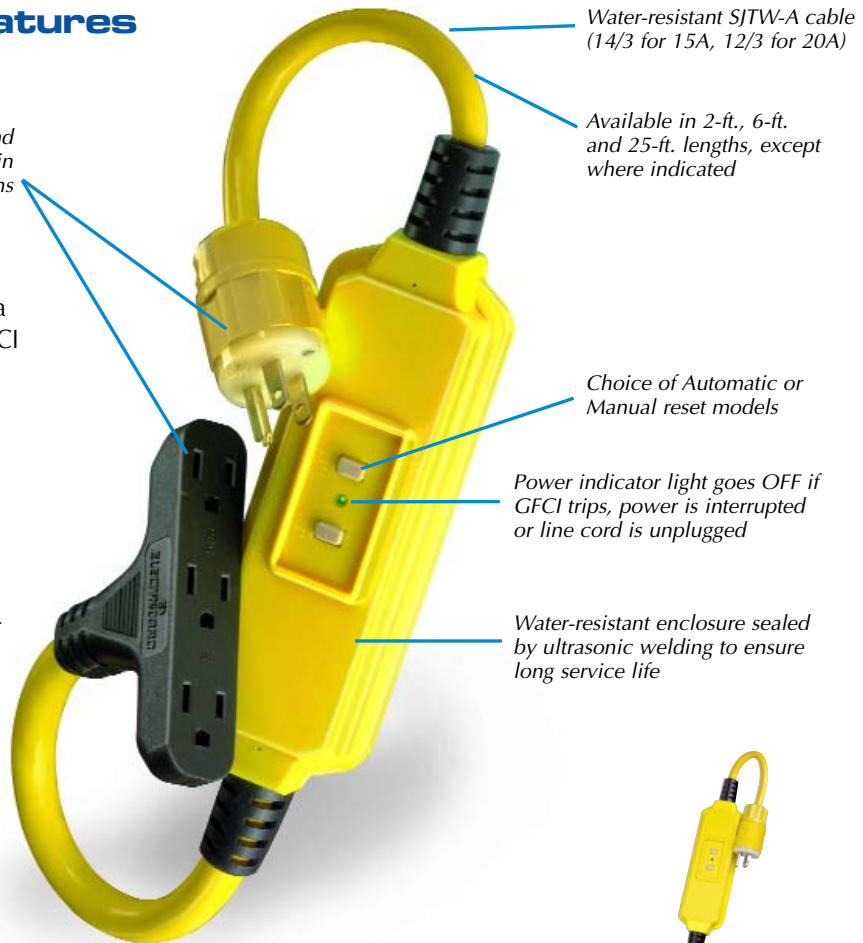
Cat. No.	Color	UPC	Inner Pack	Standard Pack
R01-8299-001	Ivory	07847715426 7	----	3
R02-8299-00W	White	07847715427 4	----	3

GFCI Cord Set Features

Equipped with Industrial Grade plugs and connectors to provide long service life in heavy-duty applications

Agency Standards

- Complies with UL Standard 943 as a Recognized Component Class A GFCI power supply with open neutral protection
- UL Listed (File #E-48380), 15A devices also CSA Certified (File #LR-5781)
- Fully complies with NEC code article #527.6, 6(A) and 6(B) and OSHA regulation CFR 1926-404b(i)(ii) for construction sites



Water-resistant SJTW-A cable (14/3 for 15A, 12/3 for 20A)

Available in 2-ft., 6-ft. and 25-ft. lengths, except where indicated

Choice of Automatic or Manual reset models

Power indicator light goes OFF if GFCI trips, power is interrupted or line cord is unplugged

Water-resistant enclosure sealed by ultrasonic welding to ensure long service life



*Cat. No. 66591-WL
Provides lighting and GFCI protection in out-of-the-way locations*

** Custom lengths and configurations available as special order*



Manual Reset GFCI Cord Sets with Wetguard™ plugs and connectors provide outstanding corrosion-resistance where water is present

GFCI Protection: An OSHA Requirement on the Job Site

OSHA definitely means business, with fines for willful violations reaching as high as \$70,000! The second most common OSHA electrical violation at construction sites involves non-compliance with either the Assured Equipment Grounding Program or Ground Fault Protection. Whichever program you choose, portable GFCI Cord Sets or an approved grounding conductor program, make sure it is used 100% of the time. Ignoring OSHA requirements can cost money as well as business. Compliance with OSHA and NEC standards is absolutely mandatory, and use of Leviton GFCI Cord Sets is a reliable, economical way to accomplish that.

GFCI Cord Sets Must Have Open-Neutral Protection

Open-Neutral Protection immediately trips the GFCI if the neutral conductor on the line side is opened. This eliminates the possibility of the GFCI Cord Set having a live hot leg, even though it may appear as though power is off due to the open neutral. A normal GFCI receptacle would not be able to trip under these conditions.

Automatic vs. Manual Reset Cord Sets




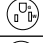










Automatic Reset GFCI Cord Sets (black body) automatically reset ON when power is restored. Manual Reset units (yellow body) will not automatically reset after power interruption; the reset button must be pushed in.

GFCI Personnel Protection Devices

Automatic Reset GFCI Cord Sets and Extension Cords – Black Body

- Automatically resets to ON when plugged in or after power interruption
- Available in 2-ft, 6-ft and 25-ft lengths except where indicated

Automatic Reset – Black Body

Cat. No.	Description/Rating	Length (In Feet)	NEMA Configuration	
			Plug End	Connector End
66591-2C	15A-125V GFCI Cord Set	2'	5-15P 	5-15R 
66591-6C	Same as above	6'		
66591-25C	Same as above	25'		
66593-3	15A-125V Triple-tap Cord Set	3'	5-15P 	5-15R 
66891-3	20A-125V GFCI Cord Set	3'	5-20P 	5-20R 
66597-3	15A-125V GFCI Cord Set	3'	L5-15P 	L5-15R 
66897-3	20A-125V GFCI Cord Set	3'	L5-20P 	L5-20R 
26591-37C	15A-125V GFCI Extension Cord	37'	5-15P 	No Connector
26592-E	15A-250V GFCI Extension Cord	35'	6-15P 	No Connector
36591-37C	20A-125V GFCI Extension Cord	37'	5-20P 	No Connector
36592-E	20A-250V GFCI Extension Cord	35'	6-20P 	No Connector

*Custom lengths and configurations available as special order

Portable Work Light Cord Set w/Automatic Reset GFCI-Protected Receptacle

- Provides lighting and GFCI protection in out-of-the-way locations

Portable Work Light – Black Body

Cat. No.	Description	NEMA Configuration	
		Plug End	Connector End
66591-WL	Portable Work Light on 20-foot Yellow "Safety" Cord with GFCI-Protected Receptacle	5-15P 	5-15R 






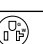




Manual Reset GFCI Cord Sets – High-Visibility Yellow Body

- Must be manually set to ON each time it is plugged in, or after a power interruption, which helps to avoid potential accidents with power tools
- Water-resistant SJTW-A cable, yellow (14/3 for 15A 12/3 for 20A)
- Available in 3-ft and 25-ft lengths

FOR WETGUARD MANUAL RESET GFCI CORD SETS ONLY

- Manual Reset GFCI Cord Sets can also be equipped with Wetguard™ plugs and connectors for outstanding corrosion resistance where water and moisture are present

Manual Reset – High Visibility Yellow Body

Cat. No.	Description/Rating	Length (In Feet)	NEMA Configuration	
			Plug End	Connector End
69591-3	15A-125V GFCI Cord Set	3'	5-15P 	5-15R 
69591-25	Same as above	25'		
69593-3	15A-125V Triple-tap GFCI Cord Set	3'	5-15P 	5-15R 
69891-3	20A-125V GFCI Cord Set	3'	5-20P 	5-20R 
69591-W3	15A-125V GFCI Cord Set with Wetguard™ Plug and Connector	3'	5-15P 	5-15R 
69591-W25	Same as above	25'		
69891-W3	Rated 20A-125V GFCI Cord Set with Wetguard™ Plug and Connector	3'	5-20P 	5-20R 

*Custom lengths and configurations available as special order



Right-Angle GFCIs

- Complies with UL Standard 943 Class A GFCI operation with open neutral protection
- Right-angle design provides ease of use in a variety of locations
- Ideal for use with spa units, high pressure washers, building maintenance equipment, submersible pumps, and a wide variety of portable equipment
- Available with manual reset (yellow body) or automatic reset (black or gray body). Manual reset versions will not reset to ON after power interruption, helping to avoid potential accidents with power tools
- Accepts 3-wire flexible cord, No. 18 (.300")—No. 12 (.450") cord diameter range
- Housing and wiring terminal chamber sealed with silicone rubber gaskets for superior protection against moisture and dust
- Specially designed Raintight-While-In-Use Cover, NEMA 3R rated, available to protect right angle GFCI plug when used in wet locations
- UL Recognized Component E-48380



Automatic Reset Right-Angle GFCI Plug – Black or Gray Body

Cat. No.	Description/Rating	NEMA Configuration
6593	15A-125V GFCI Right Angle GFCI Plug	5-15P
6893	20A-125V GFCI Right Angle GFCI Plug	5-20P

*Also available pre-assembled with cord as special order



Manual Reset Right-Angle GFCI Plug – High-Visibility Yellow Body

Cat. No.	Description/Rating	NEMA Configuration
6594	15A-125V GFCI Right Angle GFCI Plug	5-15P
6894	20A-125V GFCI Right Angle GFCI Plug	5-20P

*Also available pre-assembled with cord as special order



Raintight-While-In-Use Cover – Clear

Cat. No.	Description
86593	Raintight-While-In-Use Cover, designed for use with Right-Angle GFCI Plugs

*Also available pre-assembled with cord as special order

GFCIs for Equipment Connections

SmartLock® High-Current GFCI

- Adds ground fault protection to heavy equipment: Dedicated only for 3- and 4-wire systems that include grounded neutral
- Contact rating at GFCI: 20-125V; load capability with 125V control relay 80A @ 240V max.
- TEST and RESET buttons confirm proper operation
- Ideal for use with spas, heater packs, high pressure washers, industrial mixers and other equipment
- UL Recognized Component E-48380, CSA Certified LR-57811

Note: Each Cat. No. 8895 and contactor or relay combination MUST be approved by UL. Consult your Leviton representative for a list of contactors that have been approved for use with Cat. No. 8895

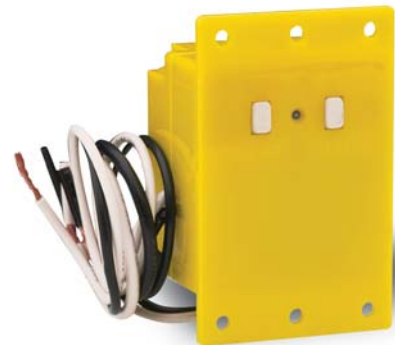


High-Current GFCI

Cat. No.	Description	Color
8895-00I	80A-120/240V 60Hz. Back & Side Wired	Ivory
8895-00W		White
8895-00E		Black (Ebony)

Panel Mount GFCIs

- Provides open-neutral protection in a panel mount configuration
- UL 943 Class A GFCI with open-neutral protection
- Automatically resets ON after power interruption
- Power indicator light goes OFF if GFCI trips or power is interrupted
- Impact-resistant yellow Lexan housing
- UL Recognized Component E-48380, CSA Certified LR-57811



Panel Mount GFCI

Cat. No.	Description
36596	Basic 4-wire panel mount, rated 20A-125V feed-through
36597	5-wire panel mount for use on temporary power boxes, rated 20A-125V feed-through
36895	Panel mount GFCI suitable for protecting lighting loads on dimmed circuits

Note: A panel mount Equipment Leakage Circuit Interrupter (ELCI) is also available. Contact your Leviton representative for information

GFCIs for Work Sites

Temporary Portable Power Distribution Center/GFCI – THE BOX™

- Meets OSHA Regulation 20, Part 1926, Subpart K for open-neutral GFCI and circuit overload protection
- UL Listed for outdoor use
- For temporary power use in industrial and commercial maintenance and repair stations (construction, entertainment, amusement sites, trade shows, convention halls) where portable power is needed
- Weatherproof covers prevent nuisance tripping; prevent moisture from entering contacts
- Clear port hole panel for circuit breaker viewing
- Reinforced metal housing and legs withstand abuse
- Backed by a Limited One-Year Warranty



Power Cords

- UL Listed (File #E-48380)
- Flexible, abrasion-resistant construction for reliable performance to -31°F

Power Distribution Center – The Box™



Cat. No.	Description	Power Supply Inlet	Feed-Through Power Outlet	NEMA Configuration
PB101-SGF	GFCI-Protected Receptacles: Six 20A-125V Locking; One 30A-250V Locking	50A, 125/250V*	50A, 125/250V*	6: L5-20R 1: L6-30R
PB103-SGF	GFCI-Protected Receptacles: Six 20A-125V Straight Blade; One 30A-250V Locking	50A, 125/250V*	50A, 125/250V*	6: 5-20R 1: L6-30R

* "California-Style" CS locking devices are non-NEMA

Power Cords



Cat. No.	Description
KRS-A9519	50 ft. Temporary Power Cord w/Weather-Resistant 50A, 125/250 Plug and Connector
KUS-A9519	100 ft. Temporary Power Cord w/Weather-Resistant 50A, 125/250 Plug and Connector

Decora® Wallplates Add a Finishing Touch to GFCIs

- Large selection includes Decora® Plus screwless, snap-on wallplates, Decora standard plates, plus Mid-Way® and oversized styles
- Sleek, smooth and easy to clean in nylon, thermoplastic and metal
- Wide range of colors to match any decor
- All plates are UL Listed, conform to NEMA and ANSI Standard and are CSA Certified

Increase Safety with Weather-Resistant Wallplates and Raintight Covers

Weather-Resistant Flush Cover Wallplates

- Self-closing
- Vertical and horizontal mounting
- Die-cast zinc covers and base
- Weather-resistant gaskets
- Stainless steel springs

Raintight While-In-Use Covers

- Impact resistant thermoplastic construction
- Pre-installed rubber gasket and mounting screw included for fast, easy installation
- Tongue and groove plate-to-cover construction
- Offset device opening (horizontal only) for easier cord exit
- Thermoplastic inserts prevent insect and debris accumulation
- Easy-grip self-closing covers with durable, non-corrosive stainless steel pins
- Vertical and horizontal mounting models
- Standard and extra-deep models available to meet every need

Raintight While-In-Use Cover Standards:

- Full compliance with UL, CSA and NEC Section 406.8 requirements for damp and wet locations with cover closed
- Raintight While-In-Use Covers are NEMA 3R rated for use with unattended plugs engaged in “live” receptacles in wet or damp locations



**2 YEAR LIMITED
WARRANTY**

GFCI Wallplates and Accessories

DECORA® Wallplates – One Gang

Wallplate	Description	Cat. No.	Color
Decora® Plus Screwless Snap-On Wallplates with Screwless Subplate	Easy installation saves time on the job; No screws at all – a truly screwless, screwless wallplate; Constructed of unbreakable polycarbonate; screwless subplate installs on existing mounting screws	80301-S	Mahogany
		80301-SI	Ivory
		80301-SW	White
		80301-SA	Almond
		80301-SGY	Gray
		80301-SE	Ebony/Black
Decora® Commercial Grade Nylon Wallplates	Superior resistance to impact and mechanical stress; Color-matched screws	80401-N	Mahogany
		80401-NI	Ivory
		80401-NW	White
		80401-NA	Almond
		80401-NGY	Gray
		80401-NE	Ebony/Black
		80401-NR	Red
Decora® Plastic Wallplates	Smooth face; rounded edges; color-matched screws	80401	Mahogany
		80401-I	Ivory
		80401-W	White
		80401-A	Almond
		80401-GY	Gray
		80401-E	Black/Almond
Decora® Metal Wallplates	Ideal in kitchen, bath; Clean lines; Color-matched screws	83401	Aluminum
		81401	Brass
		81401-PB	Polished Brass
		84401-40	Type 302 Stainless Steel
Decora® Mid-Way® Size Nylon Wallplates	Mount on larger volume outlet box; Hides irregularities; Full 0.375" higher and wider than standard size	PJ26	Mahogany
		PJ26-I	Ivory
		PJ26-W	White
		PJ26-A	Almond
		PJ26-GY	Gray
		PJ26-E	Black/Almond
Decora® Mid-Way® Size Plastic Wallplates	Mount on larger volume outlet box; Hides irregularities; Full 0.375" higher and wider than standard size	80601	Mahogany
		80601-I	Ivory
		80601-W	White
		80601-A	Almond
		80601-GY	Gray
Decora® Oversized Wallplates	0.75" higher and wider than standard size; Hides more irregularities than Mid-Way® size	86601	Ivory
		88601	White
		82601	Almond
		SO26	Type 302 Stainless Steel



GFCI Wallplates and Accessories

GFCI Accessories Product Listing

Weather-Resistant Flush Cover Decora®/GFCI Wallplates – Gray Finish



Cat. No.	Description and Mounting Position	Fits Type of Box
6196-V	Die-Cast Zinc, Vertical	Standard
6196	Die-Cast Zinc, Horizontal	Standard
6196-VFS	Die-Cast Zinc, Vertical	FS (Four Screws)
6196-FS	Die-Cast Zinc, Horizontal	FS (Four Screws)
4990	Die-Cast Zinc, Horizontal	Standard
4992	Die-Cast Zinc, Vertical	Standard
4996	Plastic, Horizontal	Standard
4998	Plastic, Vertical	Standard

GFCI Wallbox Extender – Facilitates GFCI installation in shallow wallboxes



Cat. No.	Description	Color
6197	Shallow Wallbox Extender for GFCIs	Brown
6197-I		Ivory
6197-W		White

Raintight While-In-Use Covers For Decora® Devices and GFCIs



Cat. No.	Description	Color
5977-GY	Vertical Mount	Gray
5977-DGY	Vertical Mount w/Extra Deep Cover	Gray
5977-CL	Vertical Mount	Clear
5977-DCL	Vertical Mount w/Extra Deep Cover	Clear
5997-GY	Horizontal Mount	Gray
5997-DGY	Horizontal Mount w/Extra Deep Cover	Gray
5997-CL	Horizontal Mount	Clear
5997-DCL	Horizontal Mount w/Extra Deep Cover	Clear

GFCI Circuit Tester – 15/20A 125V AC



Cat. No.	Description
6185	Circuit Tester

NEC Codes for Residential Applications

Residential – Interior

2002 NEC Article No.	Application	Applicable GFCI Cat. No.
210.8(A)(1),(5),(6) and (7)	Bathrooms, storage/work areas, unfinished basements, kitchen counter tops and wet bars	8599, 8899
	Combination Switch/GFCI replaces standard switch or switch/outlet to provide GFCI protection; saves expense of installing separate GFCI wallbox	8299
406.3(D)	When no grounding conductor is available, replace non-grounding receptacles with GFCI	8598, 8599, 8898, 8899
550.13(B)	Outdoor, bathroom, and kitchen receptacles in mobile homes and manufactured homes	8299, 8599, 8899
680.44	Outlet(s) that supply power for self contained spa or hot tub	8590, 8899

Residential – Exterior

2002 NEC Article No.	Application	Applicable GFCI Cat. No.
210.8 (A)(2),(3),(4),(8)	Garages, exterior locations, crawl spaces, boathouses	8598, 8599, 8898, 8899
680.22(A)(1),(5), (B)(4) 680.23(A)(3) 680.32	Swimming pool equipment, lighting and nearby areas	8598, 8599, 8898, 8899
680.42, 680.43, 680.44	Outlets, power supply cords, lighting and equipment for spas and hot tubs	8598, 8599, 8898, 8899



Cat. No. 8299-W
15A Combination Switch/GFCI



Cat. No. 8599-W
15A GFCI Receptacle



Cat. No. 8598-W
15A GFCI Receptacle
with Indicator Light



Cat. No. 8899-W
20A GFCI Receptacle



AS SEEN ON



NEC Codes for Commercial and Industrial Applications

Construction sites can be particularly hazardous for workers. An average of one person each day is fatally electrocuted in the workplace. That’s why OSHA and NEC safety regulations are rigorously enforced to minimize the risk of electrical accidents. Leviton’s outstanding line of GFCIs helps you comply with these important regulations.

OSHA Regulation 29 CFR 1926.404(b)

Branch Circuits – (1) Ground-fault protection – (i) General

“The employer shall use either ground-fault circuit interrupters as specified in paragraph (b)(1)(ii) of this section or an assured equipment grounding conductor program as specified in paragraph (b)(1)(iii) of this section to protect employees on construction sites. These requirements are in addition to any other requirements for equipment grounding conductors.”

Leviton GFCI Cord Sets and GFCI Receptacles assist compliance with this regulation

2002 NEC Article No.	Application	Applicable GFCI Cat. No.
210.8(B)	All bathroom and kitchen 125V 15A and 20A receptacles in non-dwelling units	8598, 8599, 8898, 8899
426.28	Ground-fault protection of equipment for fixed outdoor electric de-icing and snow-melting equipment	Use ELCI devices – 26595, 36595
511.12	125V 15A and 20A receptacles in work areas	8598, 8599, 8898, 8899
517.20(A)	Health Care Facilities – all receptacles and fixed equipment within wet location areas	8598-HG, 8898-HG
525.23	Carnivals, Circuses, Fairs, and similar events – GFCI protection for all General Use 125V 15A and 20A receptacles	GFCI cordsets also allowed – 66591, 66593, 69591, 69593; 8598, 8599, 8898, 8899
527.6	All temporary wiring installations used to supply power to equipment used by personnel during construction, remodeling, maintenance, repair, or demolition of buildings, structures, equipment or similar activities.	6594, 69591, 69593, 69891, PB101, PB103
550.32(E)	Mobile Homes, Manufactured Homes, and Mobile Home Parks – additional receptacles for connection of electrical equipment located outside a mobile home.	8590, 8598, 8599, 8898, 8899

Cat. No. 69591 Manual Reset GFCI Cord Set – High Visibility Yellow Body



Cat. No. 6594 Right-Angle Plug with Manual Reset



Cat. No. 8898-W 20A SmartLock® GFCI Receptacle with LED Indicator Light



Cat. No. 69593 Manual Reset Triple Tap GFCI Cord Set – High Visibility Yellow Body



Cat. No. 8598-HGW 15A Hospital Grade SmartLock® GFCI Receptacle with Indicator Light, monochromatic buttons



NEC Codes for Commercial and Industrial Applications

2002 NEC Article No.	Application	Applicable GFCI Cat. No.
551.71	Recreational Vehicles and recreational vehicle parks – 125V, single-phase, 15A and 20A receptacles.	8590, 8598, 8599, 8898, 8899
552.41	Park Trailers – GFCI protection for all 125V 15A or 20A receptacles located: (1) adjacent to a bathroom lavatory, (2) within 6ft of any lavatory of sink, (3) in the area occupied by a toilet, shower, tub (or any combination), (4) exterior of the units	8598, 8599, 8898, 8899
555.19(B)	Marinas and boatyards – GFCI protection for receptacles (other than shore power).	8598, 8599, 8898, 8899
600.10	GFCI protection to be provided for portable or mobile signs.	6593, 6594, 26591, 36591, 66591, 69591
620.85	125V 15A and 20A receptacles installed in pits, hoistways, on elevator car tops and in escalator moving walk wellways shall be GFCIs. 125V 15A and 20A receptacles installed in machine rooms and machinery spaces shall have GFCI protection	8598, 8599, 8898, 8899
647.7	Sensitive Electronic Equipment – GFCI protection required for 15A and 20A receptacles used as a means of connecting equipment	8598, 8599, 8898, 8899
680.22, 680.23(A)(3), (F)(3), 680.24, 680.27(B)(2), 680.32, 680.42, 680.43, 680.44, 680.51, 680.56, 680.57, 680.62, 680.71	GFCI requirements for swimming pools, fountains and similar installations including spas, hot tubs, and therapeutic pools and tubs. Requirements include GFCI protection of receptacles, equipment, lighting, signs.	6593, 6893, 8590, 8598, 8599, 8898, 8899



GFCI Circuit Tester
Cat. No. 6185

- Checks work-site circuitry for leakage current, polarity and ground continuity
- Helps with testing needed to meet requirements of Assured Equipment Grounding Conductor Program

Cat. No. PB101 "The Box"
Locking Receptacle Power
Distribution Center



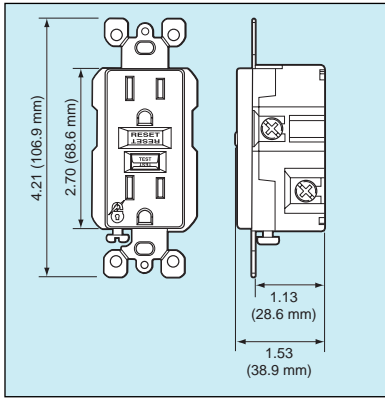
Cat. No. 8599-W
15A SmartLock®
GFCI Receptacle



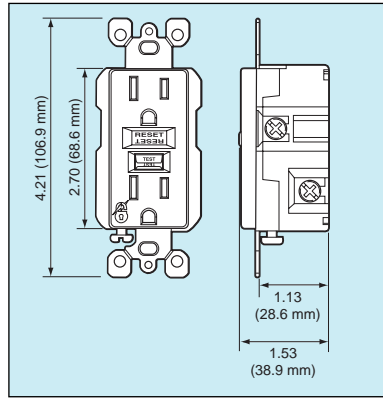
Cat. Nos. 66591
Automatic Reset
and 69591 Manual Reset
GFCI Cord Sets

Technical Information – Dimensional Drawings

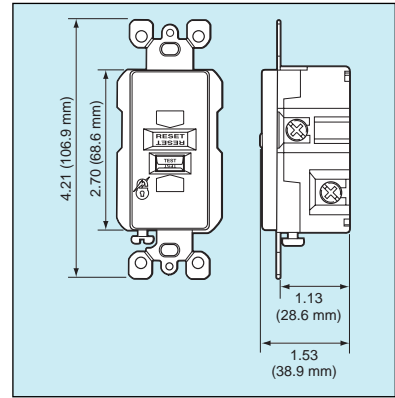
15A SmartLock Advanced GFCI 8598/8599



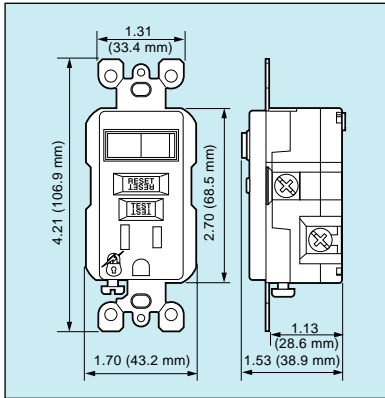
20A SmartLock Advanced GFCI 8898/8899



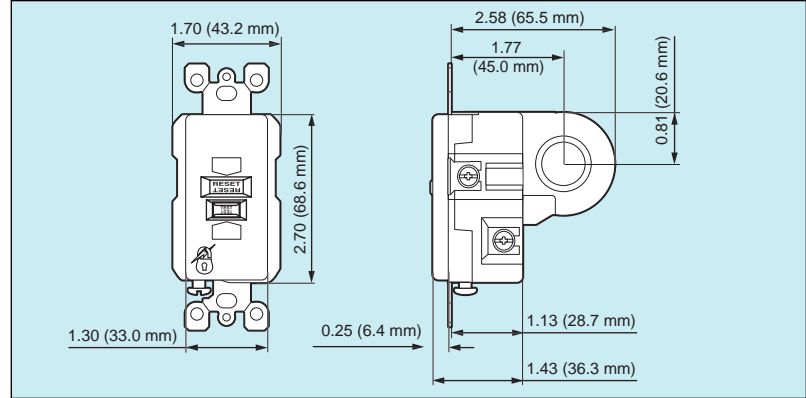
Blank Face GFCI 8590



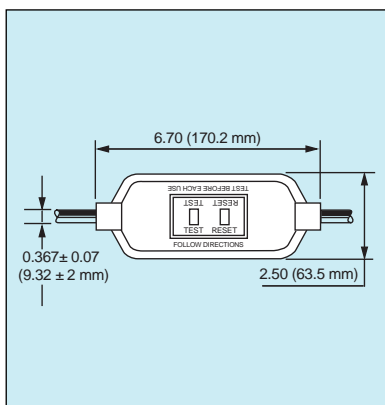
SmartLock Combination Switch/ GFCI Receptacle 8299



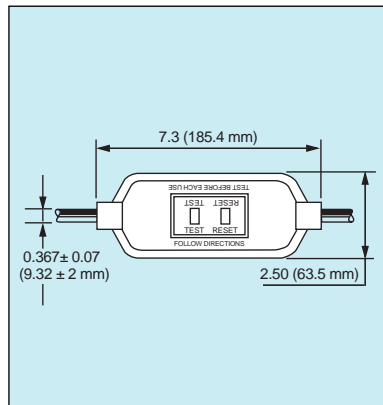
High Current GFCI 8895



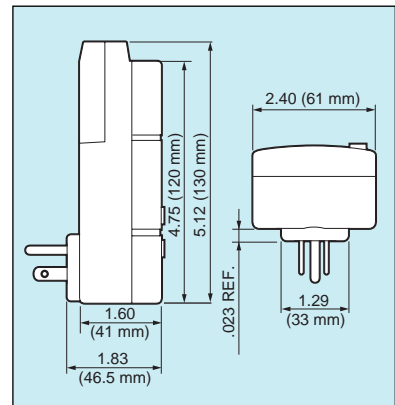
15A Automatic Reset GFCI Cords 26591/66591



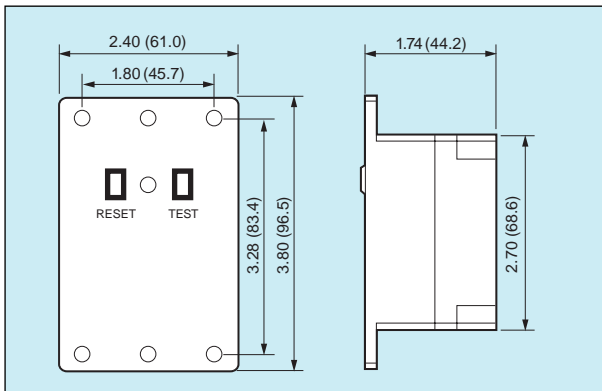
20A Automatic Reset GFCI Cords 36591/66891



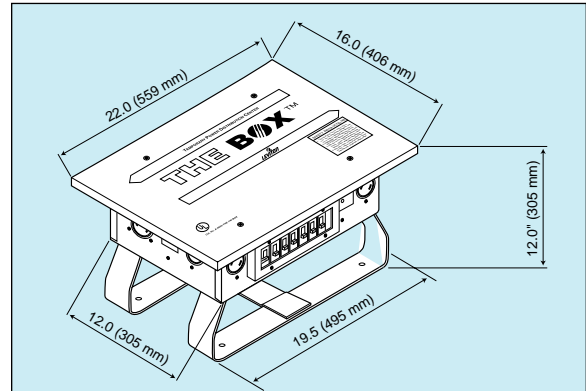
Right Angle GFCI Plug 6593/6893



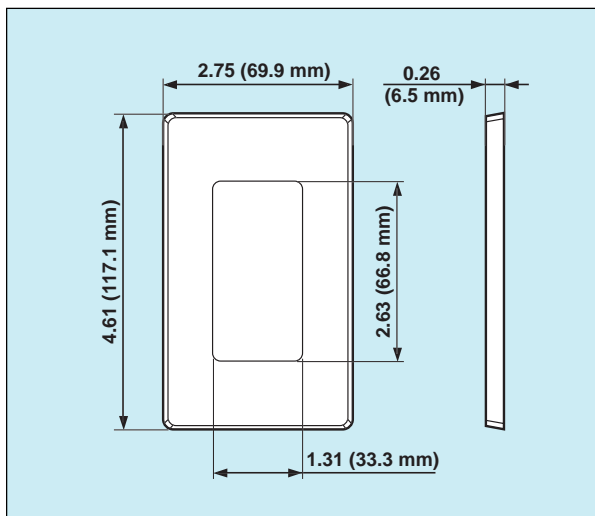
Panel Mount GFCI 36596/36597/36895



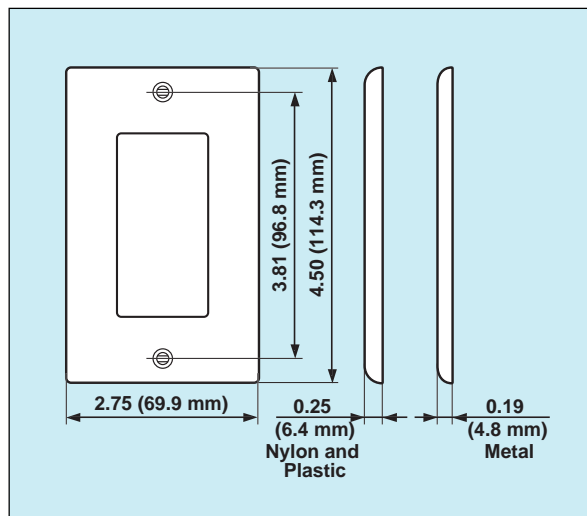
The Box PB101/103



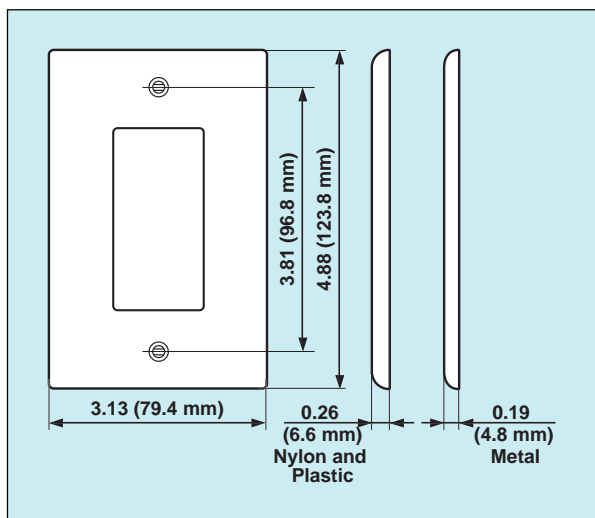
Screwless Wallplates



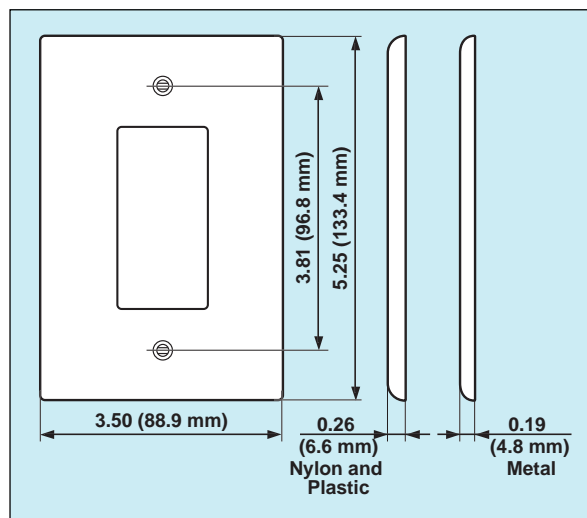
All Single-Gang Standard Size Wallplates



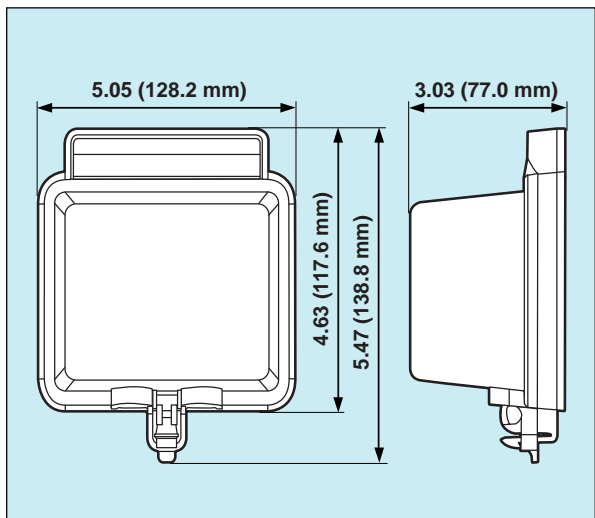
All Single-Gang Mid-Way® Size Wallplates



All Single-Gang Oversized Wallplates



Raintight While-In-Use Cover

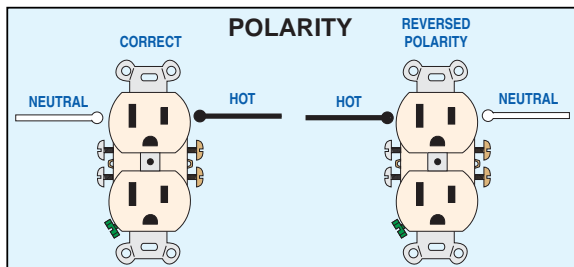


What Is Line/Load Reversal?

When the line and load leads are reversed (**right**), the GFCI receptacle face is now wired directly to the power coming from the panel, completely bypassing the internal switching mechanism. The face **is not** GFCI protected and remains live even after the internal switch opens. This is a potentially hazardous condition, and the fact that the device appears to be operating properly creates a false sense of protection for end-users. UL now requires a diagnostic indication to alert installers that there is a line/load reversal.

What's the Difference Between Line/Load Reversal and Reversed Polarity?

Most modern plugs and receptacles are made with one slot or blade larger than the other so that there is only one way that a plug can be inserted into a receptacle. If you try and insert the larger blade of the plug into the narrower opening in a receptacle, it will not fit. The larger opening in a receptacle is where the neutral conductor should be attached and the smaller opening is where the hot leg should be attached. It is possible that, due to a wiring error, the hot and neutral conductors become reversed. This condition is called **Reverse Polarity**. Appliances and other products plugged into a receptacle that has been wired with **Reverse Polarity** will still operate. This does, however, present shock hazards under certain conditions. A GFCI receptacle will still trip if there is a ground fault and a reverse polarity condition. More importantly, a GFCI receptacle switches off both the hot and neutral sides when it trips; making sure that the hot leg is interrupted even if it was mistakenly attached to the neutral side of the receptacle.

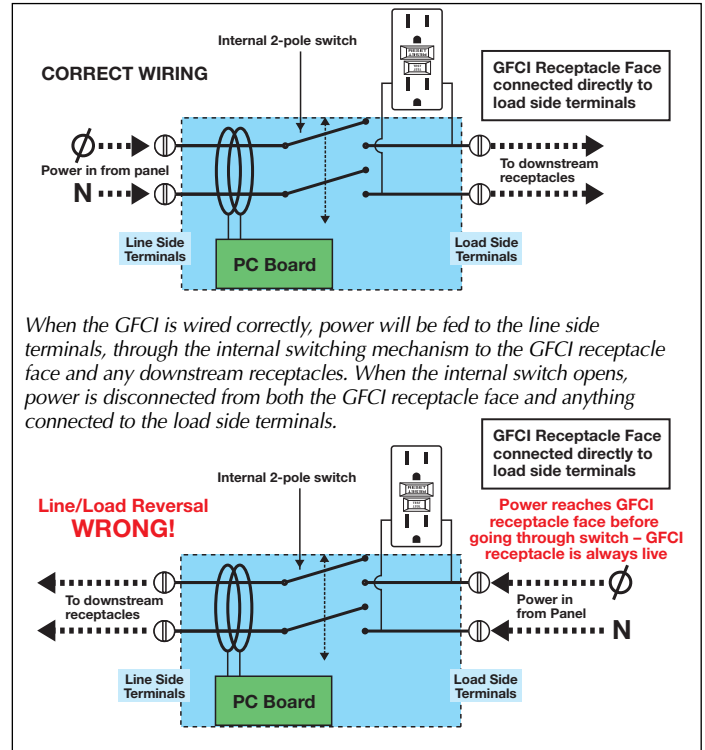


As discussed above, line/load reversal refers to bringing in your power feed onto the incorrect side of a GFCI's internal switching mechanism. The power feed **must** be connected to the line terminals. When there's a line/load reversal, the GFCI receptacle face will still be live even if the device has tripped, creating a potentially hazardous condition.

Can You Install GFCIs in Non-Grounding Systems?

The first electrical circuits installed in homes were the 2-pole, 2-wire type, with "2-prong" receptacles (2 parallel slots for the hot and neutral conductors). The only grounding point in the 2-pole, 2-wire circuit is at the service entrance where the neutral conductor is grounded.

Experience proved that a single grounding point through the neutral conductor was not ideal for electrical safety. This led to the installation of residential 2-pole, 3-wire circuits with a grounding conductor, sometimes called the "equipment grounding conductor." The grounding conductor does not carry current during normal circuit operation. It is only connected to outlet boxes, chassis and other non-current carrying components that may carry current in case of damage or defects in the wiring system. The NEMA 5-15R grounding receptacle is typically used in residential 2-pole, 3-wire circuits. This "3-prong" receptacle provides a U-shaped grounding contact.

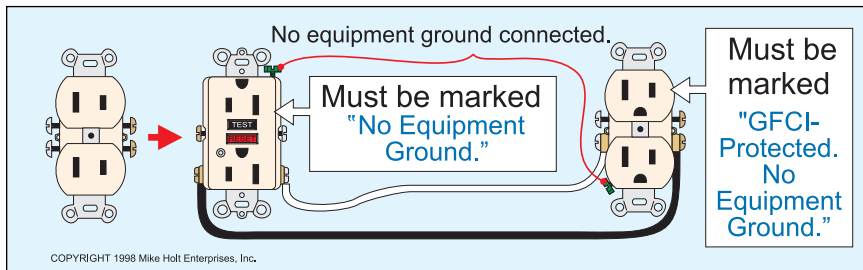


Technical Information – Frequently Asked Questions

Although the National Electrical Code has required 2-pole, 3-wire grounding circuits for several years, there are still many homes with 2-pole, 2-wire circuits and 2-prong receptacles. You cannot simply bring these homes up to modern code standards by replacing non-grounding receptacles with the 3-prong grounding types. A qualified electrician will have to verify that there is a continuous ground path at each receptacle, which may require circuit rewiring. An alternate solution is to install a GFCI in place of the non-grounding receptacle.

Section 406.3 (D) of the National Electrical Code permits a non-grounding type receptacle to be replaced with a grounding type receptacle without a grounding connection. However, the grounding receptacle **must** be GFCI-protected.

The diagram below shows a typical non-grounding (2-prong) receptacle replaced with a GFCI. The GFCI must be marked, “No Equipment Ground.” The GFCI can feed through to a grounding receptacle, which must be marked “GFCI Protected. No Equipment Ground.”

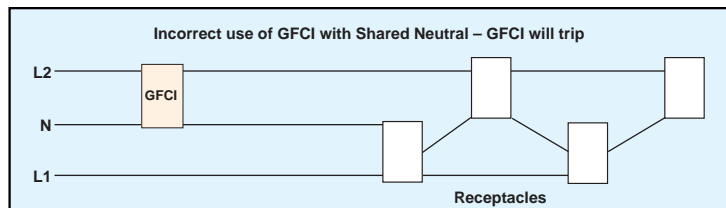


For increased electrical safety, Leviton strongly recommends installing a GFCI in every non-grounding circuit. A ground wire provides protection by offering a parallel path back to ground for any fault

current. Without a ground wire, fault current will try and take other paths to ground and a GFCI will trip and cut power under these hazardous conditions. Ground faults are more likely to occur in non-grounding circuits and a GFCI will help protect family members from this potentially hazardous condition.

Can GFCIs Be Used in Circuits with a Shared Neutral?

Using a single neutral conductor for more than one circuit can be looked at as a way to save money on wiring. Because a GFCI receptacle looks for a balance of current flowing in a single hot conductor and a single neutral conductor, it will not operate properly when more than one hot conductor is sharing a neutral downstream from a GFCI. Current flowing in the neutral from the circuit not protected by the GFCI will cause the GFCI to see an imbalance typically associated with a ground fault and the GFCI will trip. A hazardous condition would exist in the circuit not protected by the GFCI as it may appear as though the power is off even though the hot leg is still live. In circuits wired this way, the neutral needs to be split at or before reaching the GFCI receptacle and a dedicated neutral must be run from the GFCI receptacle to all downstream receptacles protected by the GFCI.



Why Must GFCI Cord Sets Have Open-Neutral Protection?

Open-Neutral Protection immediately trips the GFCI if the neutral conductor on the line side is opened. This eliminates the possibility of the GFCI Cord Set delivering power to the load if the GFCI cannot trip in the event of a ground fault. Open Neutral Protection requires the addition of special components to the standard GFCI circuitry. Permanently wired GFCI receptacles do not require this feature, because their line-side conductors are not exposed to physical damage. In all temporary power situations, where flexible cord feeds the line side of a GFCI, there is always the risk of an open-neutral condition. Therefore, UL requires open-neutral protection for all Class A GFCI cord sets.

SmartLock® GFCI Packaging and Merchandising

SmartLock® GFCI Packaging – Have It Your Way

SmartLock® GFCIs are available in five different packages. Most have windows that reveal device color, button color, amperage, and “the lock” on each device, ensuring that you have an authentic SmartLock GFCI.

Without Wallplate:

- Single-Unit Boxed
- 3-Pack Boxed

With Wallplate

- Decorative GFCIs with Matching Buttons
- Child Safety GFCIs with Red/Black Buttons
- Contractor Packs with Red/Black Buttons or Matching Buttons



Leviton Merchandising Maximizes GFCI Sales

Leviton offers a sensational choice of eye-catching display vehicles to show your customers that you care about electrical safety. Our large selection of merchandisers includes headers and signage promoting the importance of GFCI devices, as well as Take-One pamphlets and hang-cards that educate your customers and employees. Let Leviton’s broad GFCI support program put you on the fast track to profits.



Ceiling Mobile. 3-sided mobile includes hardware.
Measures 18”h x 18”w x 18”d
Cat No. 000-MOBIL-SML

Take-One Pamphlets explain why GFCIs are important and provide valuable monthly testing instructions.
Cat. No. 209-00RTL-SL



Counter Display for Take-One Pamphlets and mounted products. (Product and literature must be requested separately.)
Cat. No. 000-17001-COP

SmartLock® GFCI Packaging and Merchandising



2-ft. Header explains the benefits of GFCIs.
Cat. No. 013-16050-GFI
Measures: 24" w x 12" h



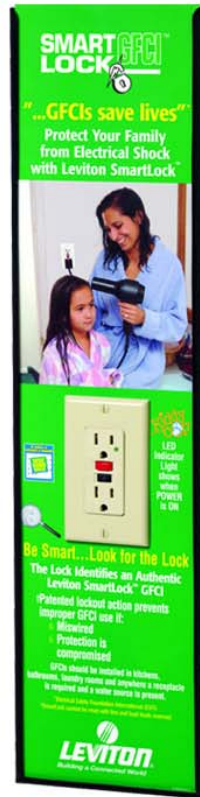
Laminated Hang Card hangs from Gondola or Racking and provides information to consumers. Fasten with beaded chain (not included).
Cat. No. 221-00RTL-SL



Pallet Displays are ideal for cross-merchandising and promotions.
Holds up to 200 GFCIs.
(Products must be ordered separately.)
Cat. No. 816-16050-SL
Measures: 48" h x 13" w x 18.75" d



Counter Display adjusts to 1, 2 or 3 tiers.
Holds 16, 36 or 60 boxed GFCIs.
(Products must be ordered separately.)
Cat. No. 002-3TIER-MT
Measures: 20" h x 11.25" w x 12" d
Labels for display: Cat. No. 004-3TIER-SL



Gravity Feed Displays accommodate boxed or clamshell packaging (shown).
Ideal for cross-merchandising and promotions.
(Products must be ordered separately.)
Cat. No. 602-0GRAV-GFI (boxed)
Measures: 47" h x 3" w x 4.5" d (boxed)
Cat. No. 603-0GRAV-CS (clamshell)
Measures: 49.25" h x 4.5" w x 7" d (clamshell)



Distributed By



For more information on Leviton GFCI devices or any of our products, please contact us:

Leviton Manufacturing Co., Inc.

59-25 Little Neck Parkway, Little Neck, NY 11362-2591

Telephone: Distributors: 1-800-323-8920 • Retailers: 1-800-367-5424

FAX: 1-800-832-9538

Tech Line (8:30AM-7:30PM EST Monday-Friday): 1-800-824-3005

Leviton Manufacturing of Canada, Ltd.

165 Hymus Boulevard, Pointe Claire, Quebec H9R 1E9

Telephone: 1-800-469-7890 • FAX: 1-800-563-1853

Visit Leviton's Web site at www.leviton.com

