

Cool-Add Vent Termination Shield

Installation Instructions for DVK-01TRD, SLK-01TRD and DVP-TRAP

CARTON CONTENTS

This kit consists of six (6) Model Cool-Add Vent Termination Shields. These shields are used to cover trapezoid cap horizontal termination kit models DVK-01TRD, SLK-01TRD and DVP-TRAP. Report any damaged component to your dealer. Do not use the shield if it is damaged.

ASSEMBLY

Place the screen in the top of the cap, against the flanges. Bend both tabs to the inside so that it pinches the screen between the tab and the flange. See Figure 1.

INSTALLATION

After the direct vent system termination kit has been installed and secured, align the Cool-Add shield with the **TOP and BOTTOM** of the trapezoid vent cap (see Figure 1). The shield's mounting flanges should also be aligned with the left and right edges of the trapezoid cap (see Figure 2).

Secure the Cool-Add to the exterior firestop using the four (4) sheet metal screws included or screws appropriate for the type of building materials of the exterior wall.

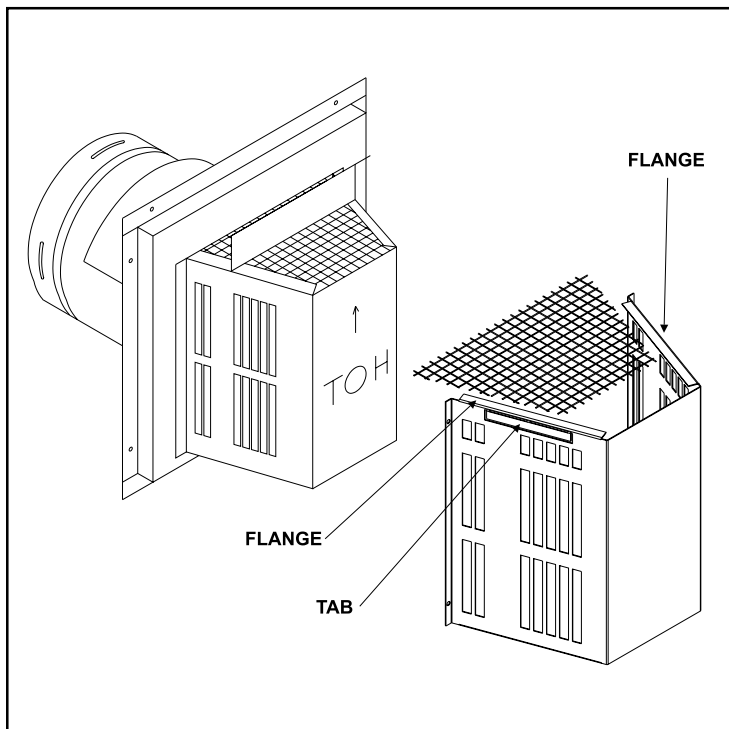


Figure 1

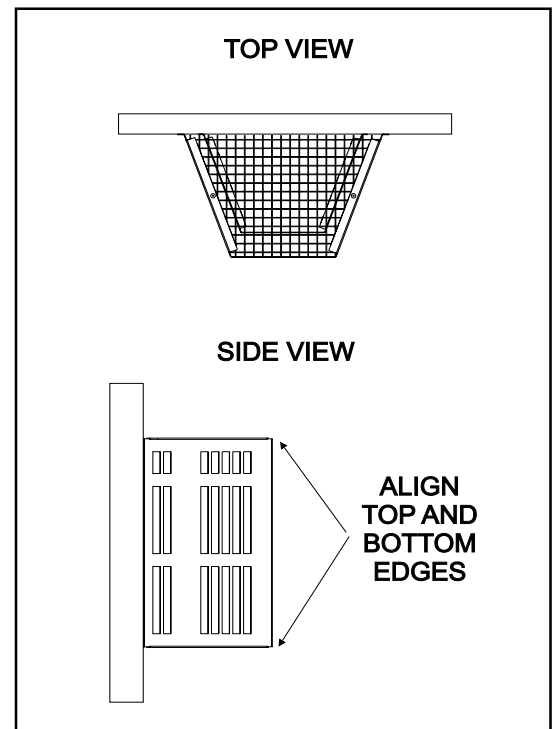


Figure 2